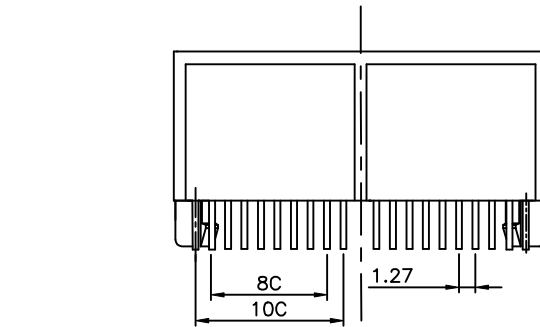
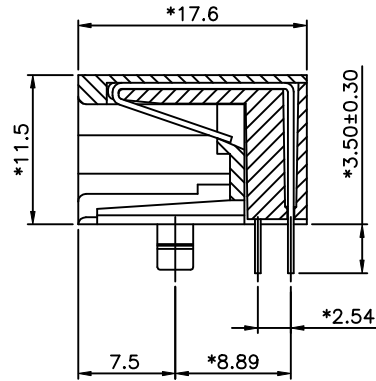
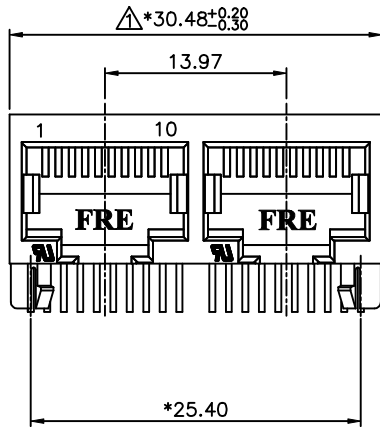


| REVISION RECORD |     |             |                   |      |
|-----------------|-----|-------------|-------------------|------|
| REV             | ECO | DESCRIPTION | DRFT              | CHKD |
| △               |     | Modify DIM  | ANKUE<br>02/24/06 |      |



**NOTES:**

**ELECTRICAL:**

- 1. VOLTAGE RATING : 125 VAC RMS.
- 2. CURRENT RATING : 1.5 AMP.
- △ 3. CONTACT RESISTANCE : 40 MILLIOHMS MAX.
- 4. INSULATION RESISTANCE: 1000 MEGOHMS MIN @ 500 VDC.
- 5. DIELECTRIC STRENGTH : 1000 VAC RMS 60Hz, 1MIN.

**MECHANICAL:**

- 1. HOUSING MATERIAL : GLASS FILLED POLYESTER UL94V-0(BK).
- 2. CONTACT MATERIAL : PHOSPHOR BRONZE  $\phi$ 0.46mm.
- 3. PLATING : GOLD PLATING OVER NICKEL.
- 4. OPERATING LIFE : 750 CYCLES MIN.
- 5. PCB RETENTION PRE-SOLDER : 1 LB MIN.
- 6. PCB RETENTION POST-SOLDER: 10 LBS MIN.

**ENVIRONMENTAL:**

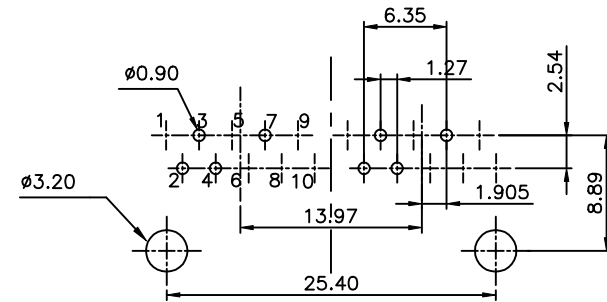
- 1. STORAGE : -40°C TO +85°C.
- 2. OPERATION: -40°C TO +85°C.
- △ 3. WAVE SOLDER TEMPERATURE: 230°C TO 250°C 5-10 SECONDS.

MATES WITH MODULAR PLUG CONFORMING TO FCC PART 68, SUBPART F.

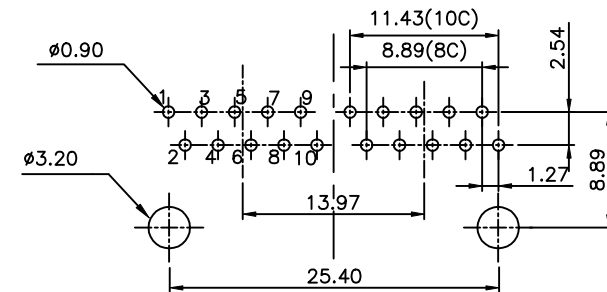
CUL FILE NO. E163191

ROHS PART NUMBER: E560X-00A06X-L

|                |                        |
|----------------|------------------------|
| NO. OF CONTACT | 1- 3u" 2- 6u" 3-15u"   |
| 4-4 CONTACTS   | 4-30u" 5-50u" 6-Pd20u" |
| 8-8 CONTACTS   |                        |
| 1- 10 CONTACTS |                        |



FOR : 4C



PC Board Layout t = 1.60mm  
Component Side Shown

|                        |                            |                              |                                   |       |
|------------------------|----------------------------|------------------------------|-----------------------------------|-------|
| DETACHED LISTS         | MM (INCH)                  | DFTO SAMMY DATE 05/11/05     | FULL RISE ELECTRONIC CO., LTD     |       |
|                        | TOLERANCES EXCEPT AS NOTED | CHKD ASHELLY DATE 2006/2/24  |                                   |       |
|                        | .0 ±0.2                    | MFO DATE                     | TITLE                             |       |
|                        | .00 ±0.15                  | APPVL LUSHENG DATE 2006/2/24 | 11.5 SIDE ENTRY PCB GANG JACK 10P |       |
|                        | .000 ±0.075                | MATERIAL :                   | DRAWING NO. GE563A94-LC           |       |
| ANGLES ± 0.5           | QTY :                      | /PART NO. SEE NOTE           | SIZE A3                           | REV 1 |
| THIRD ANGLE PROJECTION | FINISH :                   | DO NOT SCALE DRAWING         | SHEET 1                           | OF 1  |
|                        | SCALE :                    |                              |                                   |       |